



Step-by-step installation instructions:

1. Ensure the aperture(s) is free from dust and debris.
2. Apply a 13mm deep seal into the annular space.
3. Form a 20mm x 20mm cone of sealant between the cable bundle and the lining.



System ID# FC847

Technical Information

Substrate	<ul style="list-style-type: none"> • Min. 90mm timber or steel stud wall with a minimum of one layer of 13mm (or greater) FR plasterboard on each side, with or without insulation. • Min 90mm masonry wall
Service range	14mm OD bundle of up to 5 x data cables
Annular gap	3mm - 6mm
AGNI-Products	AGNI-Seal
Protection installation	Two scenarios: 1) installed on the fire side only; 2) installed on the non-fire side only

Compliance Information

Standards	AS1530.4-2014, AS4072.1-2005
FRR/FRL	-/60/60
Reference	RIRF24068 (AE-070)



Agnitek[®]
FIRE RATED TECHNOLOGY

8 Clare St Bayswater
VIC 3153, AUSTRALIA
www.agnitek.com.au

Disclaimer

Agnitek reserves the right to modify product specifications without prior notice due to its ongoing research, development & certification programme. The information in this document is provided in good faith and is intended for guidance purposes only. Any accompanying drawings are solely for illustrative purposes. Since Agnitek cannot oversee installation methods or ensure site conditions, no warranties, expressed or implied, are intended regarding the products' actual performance. We do not accept liability for any loss, damage, or injury from using this information. Please take a look at the test reports displayed on a relevant AGNI-System webpage for all compliance specifics.

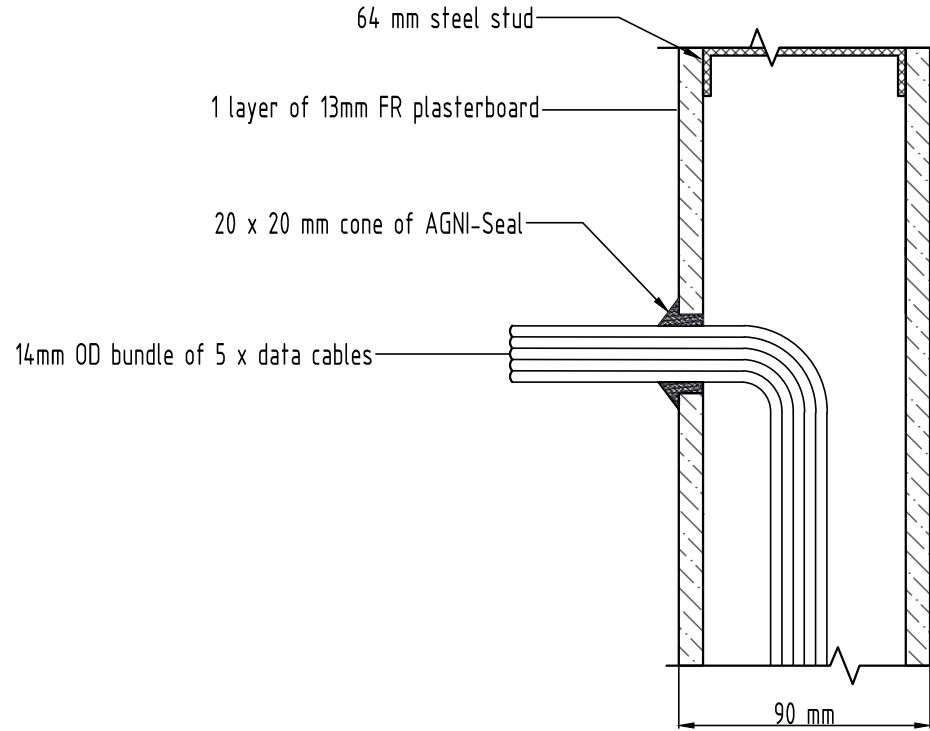
Date	01.08.2024
------	------------



FIRESTOP CENTRE

Authorised New Zealand Distributor
Ph (09) 483 4000 www.firestopcentre.co.nz

AGNI-Seal in 1 x 13mm Plasterboard Wall - Single-sided Cable Bundle (up to 5 x Data Cables) FRR - /60/60



System ID# FC847

Technical Information

Substrate	<ul style="list-style-type: none"> • Min. 90mm timber or steel stud wall with a minimum of one layer of 13mm (or greater) FR plasterboard on each side, with or without insulation. • Min 90mm masonry wall
Service range	14mm OD bundle of up to 5 x data cables
Annular gap	3mm - 6mm
AGNI-Products	AGNI-Seal
Protection installation	Two scenarios: 1) installed on the fire side only; 2) installed on the non-fire side only

Compliance Information

Standards	AS1530.4-2014, AS4072.1-2005
FRR/FRL	-/60/60
Reference	PF24068



Agnitek[®]
FIRE RATED TECHNOLOGY

8 Clare St Bayswater
VIC 3153, AUSTRALIA
www.agnitek.com.au

Disclaimer

Agnitek reserves the right to modify product specifications without prior notice due to its ongoing research, development & certification programme. The information in this document is provided in good faith and is intended for guidance purposes only. Any accompanying drawings are solely for illustrative purposes. Since Agnitek cannot oversee installation methods or ensure site conditions, no warranties, expressed or implied, are intended regarding the products' actual performance. We do not accept liability for any loss, damage, or injury from using this information. Please take a look at the test reports displayed on a relevant AGNI-System webpage for all compliance specifics.

Date	01.08.2024
------	------------